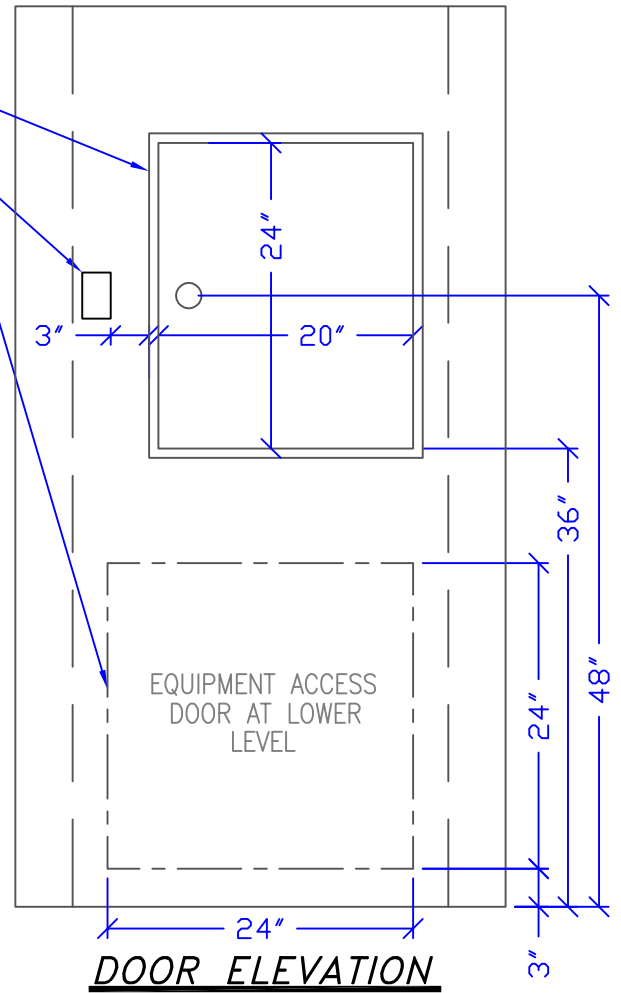


**DUMBWAITER PLAN**

APPROVED AS NOTED FOR PRODUCTION	
APPROVED FOR PRODUCTION	
REVISE AND RESUBMIT	
AUTHORIZED SIGNATURE	DATE
	/ / 05
ADVISE IMMEDIATELY IF PRODUCTION IS TO BE DELAYED	

HOISTWAY DOOR BY OTHERS W/CLOSING DEVICE OR MAGNETIC LATCH.  
 CALL/SEND BUTTON - BLOCKOUT  
 2 1/4" W X 3 3/4" H X 3" D  
 LEAVE FRONT WALL OPEN AT BOTTOM LANDING UNTIL EQUIPMENT IS INSTALLED



**DOOR ELEVATION**

MODEL	RD-2	# CAR OPENINGS	2
SPEED	18 FPM	DOOR LOCK	ELECTRIC
TRAVEL	144"	CAB CONSTRUCTION	S.S.
# OF LANDINGS	2	HATCH WIDTH	29 1/2"
SERVICE	RESIDENTIAL	HATCH DEPTH	29 1/2"
CAPACITY	200#	MACHINE LOCATION	BELOW
OPERATION	CALL/SEND		

**ELEVATOR CONCEPTS LTD.**

JOB NAME:	RV PATEL
ADDRESS:	-
CITY:	-
ARCHITECT:	-
CONTRACTOR:	-
CUSTOMER:	-
REVISIONS:	-

DR. BY: TJM	DATE: 08/10/05	DWG: SALES
-------------	----------------	------------