

NOTE:
 PROVIDE WALL CONSTRUCTION SUITABLE FOR ATTACHMENT
 OF RAIL BRACKETS AT SHOWN ELEVATIONS. MUST BE CAPABLE
 OF 300# PULLOUT LOADING WITH MAX DEFLECTION OF 1/8"

WORK BY OTHERS

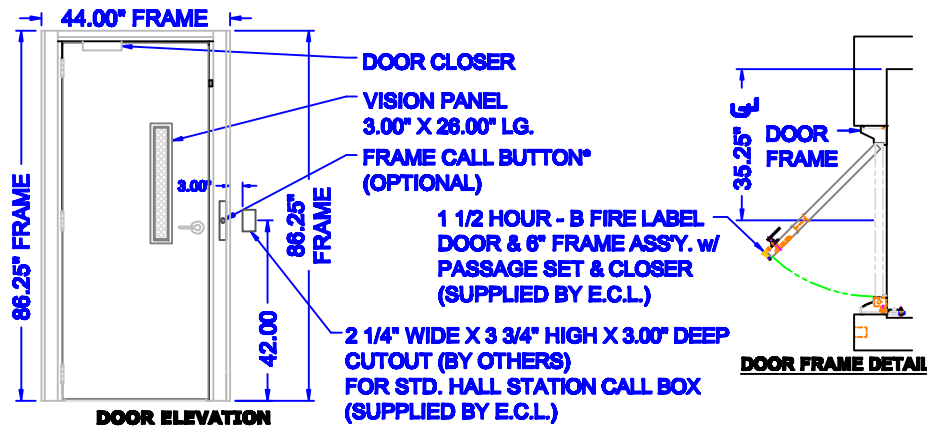
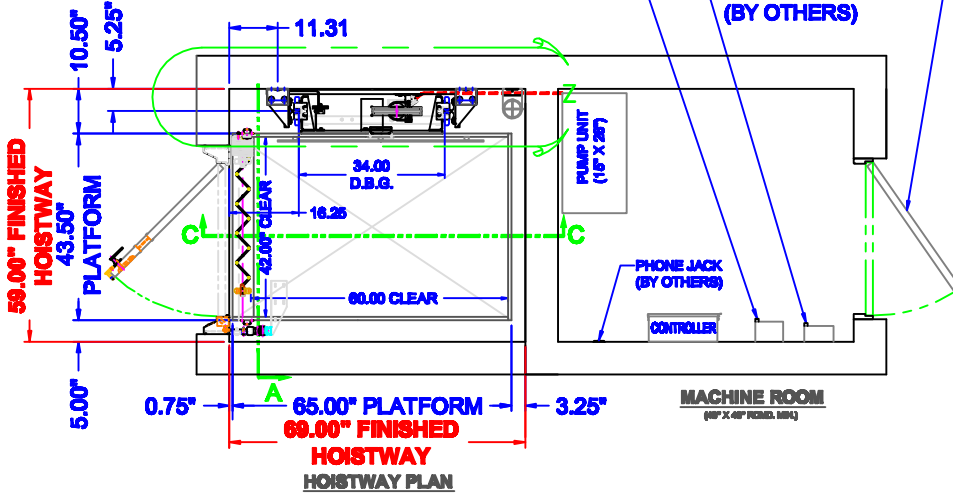
TO BE PROVIDED BY OWNER AND/OR GENERAL CONTRACTOR:

NOTE:
 ALL HOISTWAY DIMENSIONS
 ARE FINISHED DIMENSIONS.
 IF YOU HAVE ANY QUESTIONS
 PLEASE CONTACT THE
 ELEVATOR INSTALLER

CAB LIGHT DISCONNECT
 SQUARE D D221N OR
 EQUAL (BY OTHERS)

HEAVY DUTY FUSED
 MOTOR DISCONNECT
 SQUARE D H221N OR
 EQUAL (BY OTHERS)

SELF CLOSING AND
 SELF LOCKING DOOR
 (BY OTHERS)



- Legal hoistway of proper size, plumb within 1" per 100', and pit of proper depth.
- Suitable machine room with legal access & clearances, properly heated & ventilated. Temperature not to exceed 35°C(95°F)
- Hoistway guard & barricades during installation.
- Supports for rail fastenings where specified.
- Venting of hoistways as required by code.
- All cutting of walls, floors, of partitions together with all repairs, grouting, patching, and painting made necessary by such cutting or changes.
- Heavy duty fused main line switch in machine room for each elevator with feeders connected to each controller.
- Lights, light switch, and convenience outlets in elevator machine room.
- 120V/1Ø/20amp service & telephone outlet for each elevator connected to controller(s) in elevator machine room for car lights & accessories.
- Lights, light switch, and convenience outlets in elevator pit where required
- Finished cab floor coverings.
- All other equipment necessary & not otherwise called for in elevator contract.

TIGER LIFT

MODEL	X5	SERVICE	LULA
SPEED	28 FPM	CAPACITY	1400
TRAVEL	265 1/4"	OPERATION	9PBA
NO. LANDINGS	3	NO. CAR GATES	1
CAB TYPE	MELAMINE	WALL COLOR	VERIFY
GATE TYPE	ACCORDION STD	CEILING COLOR	WHITE
HANDRAIL TYPE	ALUMINUM	GATE FINISH	VERIFY
GATE OPERATION	AUTOMATIC	GATE SIZE	42"
FLOOR DESIGNATION	1,2,3	FIXTURE FINISH	S.S.#4
ILLUMINATE	X	EMERG. LIGHT	X
CAR TOP STATION	X	RET. CAM	X
RUPTURE VALVE	X	AUTO LIGHT	X
KEY SW/MOMENT		AUTO LOWER	
KEY SW/MAINT		AUTO DOOR	X
ARRIVAL LIGHT		AUTO GATE	X
ARRIVAL GONG	X	POSITION IND.	SOFTWARE
DOOR MONITOR		PHONE BOX	ADA IN COP
CAR WEIGHT#	-	GROSS WEIGHT	-
RAIL SIZE	8#	PLUNGER DIAMETER	-
MOTOR HP	-	PLUNGER WALL	-
MOTOR RPM	-	Min. P8t:	-
VALVE TYPE	-	Max. P8t:	-
PUMP MODEL	-	SAFETY MODEL	-
GPM:	-	MOTOR STARTING	-
HOIST CABLE	3/8 7X19	MOTOR RUNNING	-
CABLE LENGTH	-	INTERLOCK @ 1-3	-
VOLTAGE:	-		
PHASE	-		
CONTROL VOLTAGE	-		

APPROVED AS NOTED FOR PRODUCTION

APPROVED FOR PRODUCTION

REVISE AND RESUBMIT

AUTHORIZED SIGNATURE

CUSTOMER SIGNATURE HERE

DATE

/ /07

JOB NAME: -

ADDRESS: -

CITY: -

ARCHITECT: -

CONTRACTOR: -

CUSTOMER: -



ELEVATOR CONCEPTS LTD

18720 Krause Riverview, MI 48183
 Phone (734) 248-4700 Fax (734) 248-2547
 www.elevatorconcepts.com

REVISIONS: UPDATED: -

DATE: 12/20/07 SHEET 1 OF 2

DRAWN BY: TJM CHECKED BY: LNG

JOB#

SALES

VIEW IN CIRCLE "Z"