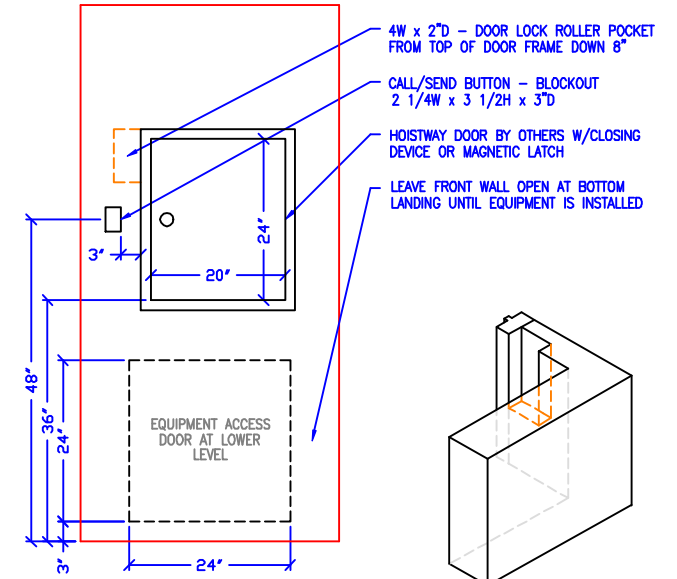


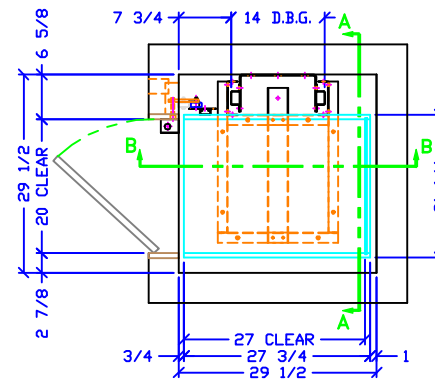
(B-B) DUMBWAITER SHAFT

(A-A) WALL SUPPORT



DOOR ELEVATION

DOOR ROLLER POCKET <ISOMETRIC VIEW>



DUMBWAITER PLAN

MODEL	RD-2	# CAR OPENINGS	1
SPEED	15 FPM	DOOR LOCK	GAL
TRAVEL	?	CAB COLOR	WHITE
# OF LANDINGS	2	HATCH WIDTH	29 1/2"
SERVICE	RESIDENTIAL	HATCH DEPTH	29 1/2"
CAPACITY	200#	MACHINE LOCATION	BELOW
OPERATION	CALL/SEND		

ELEVATOR CONCEPTS LTD.

JOB NAME:	STANDARD DUMBWAITER SINGLE OPENING
ADDRESS:	-
CITY:	-
ARCHITECT:	-
CONTRACTOR:	-
CUSTOMER:	-
REVISIONS:	-
DR. BY:	DJB
DATE:	05/04/01
DWG:	DW STD1